

# ICON FIRES

**NERO WALL MOUNTED FIRES**

**User Manual**

[www.iconfires.com](http://www.iconfires.com)

# Operating Manual

Thank you for purchasing this Icon Fires Burner. Icon Fires is very safety conscious and we have taken every care in designing, manufacturing and assembling your Icon Fires Burner to ensure it operates effectively, efficiently and safely. In return we ask that you exercise care when using this product and follow the instructions below. Before using your Icon Fires Burner, please read all the information contained in this operation manual carefully. Icon Fires cannot be held responsible for any damage or injury caused if these instructions are not followed.

## IMPORTANT SAFEGUARDS

When using this Fireplace, basic precautions should always be followed, including but not limited to the following. **Read all instructions and warnings before using this Fireplace.**

## WARNING

- **DO NOT OVERFILL THE BURNER'S INTENDED CAPACITY.**
- **NEVER LEAVE THE APPLIANCE UNATTENDED DURING OPERATION OR WHEN A FLAME IS PRESENT.**
- **DO NOT IGNITE THE COMBUSTION CHAMBER WHEN IT IS IN A HOT STATE.**
- **USE ONLY THE FUEL FOR WHICH THE SLIMLINE BURNER IS INTENDED.**
- **DO NOT TOUCH THE EXTERIOR OF THE SLIMLINE BURNER DURING OR AFTER BURNING.**
- **PARTS OF THIS SLIMLINE BURNER CAN REACH HIGH TEMPERATURES.**
- **DO NOT HAVE COMBUSTIBLE OBJECTS IN CLOSE PROXIMITY TO THE BURNER.**
- **UNLESS THE BURNER IS OUTDOORS, DO NOT INSTALL INTO AN AREA WHERE THERE IS A DRAFT WHICH CAN AFFECT THE FLAME.**  
**ESPECIALLY WHEN INSTALLING IN OLD HEARTH, MAKE SURE HEARTH IS SEALED.**
- **NEVER POSITION THE BURNER WITHIN RANGE OF COMBUSTIBLE ITEMS THAT CAN BE MOVED/BUMPED BY ACCIDENT OR BLOWN BY THE WIND. E.G. CURTAINS, BLANKETS, PAPERS ETC...**
- **ONLY USE THE SLIMLINE BURNER IN AREAS WITH GOOD VENTILATION.**
- **DO NOT COVER THE SLIMLINE BURNER VENT WITH ANY DECORATIVE ITEMS WHETHER THEY ARE COMBUSTIBLE OR NON-COMBUSTIBLE, INCLUDING BUT NOT LIMITED TO ARTIFICIAL LOGS, STONES, PEBBLES, GLASS BEADS etc.**
- **CUSTOMS INSTALLATION: ICON FIRES IS NOT LIABLE FOR ANY INJURIES OR DAMAGES SUSTAINED BY CUSTOM MADE OR PRIVATELY COMMISSIONED FIREBOXES. ICON FIRES RECOMMENDS USING THE BURNERS IN THE FIREBOXES MANUFACTURED BY ICON FIRES ONLY. ANY ALTERATIONS TO THE ICON PRODUCT VOIDS ANY WARRANTY OR LIABILITY.**
- **WARNING: FILLING AND ALCOHOL FUELLED DEVICE WHILE LIT HAS CAUSED SEVERE BURNS AND DEATHS. WHEN REFILLING FIRST CHECK THE FLAME IS EXTINGUISHED AND THAT THE DEVICE IS COOL.**
- **DO NOT INSTALL THE FRAME ONTO COMBUSTIBLE MATERIAL SUCH AS WOODEN WALLS AND OTHER FLAMMABLE MATERIALS.**

## CAUTION

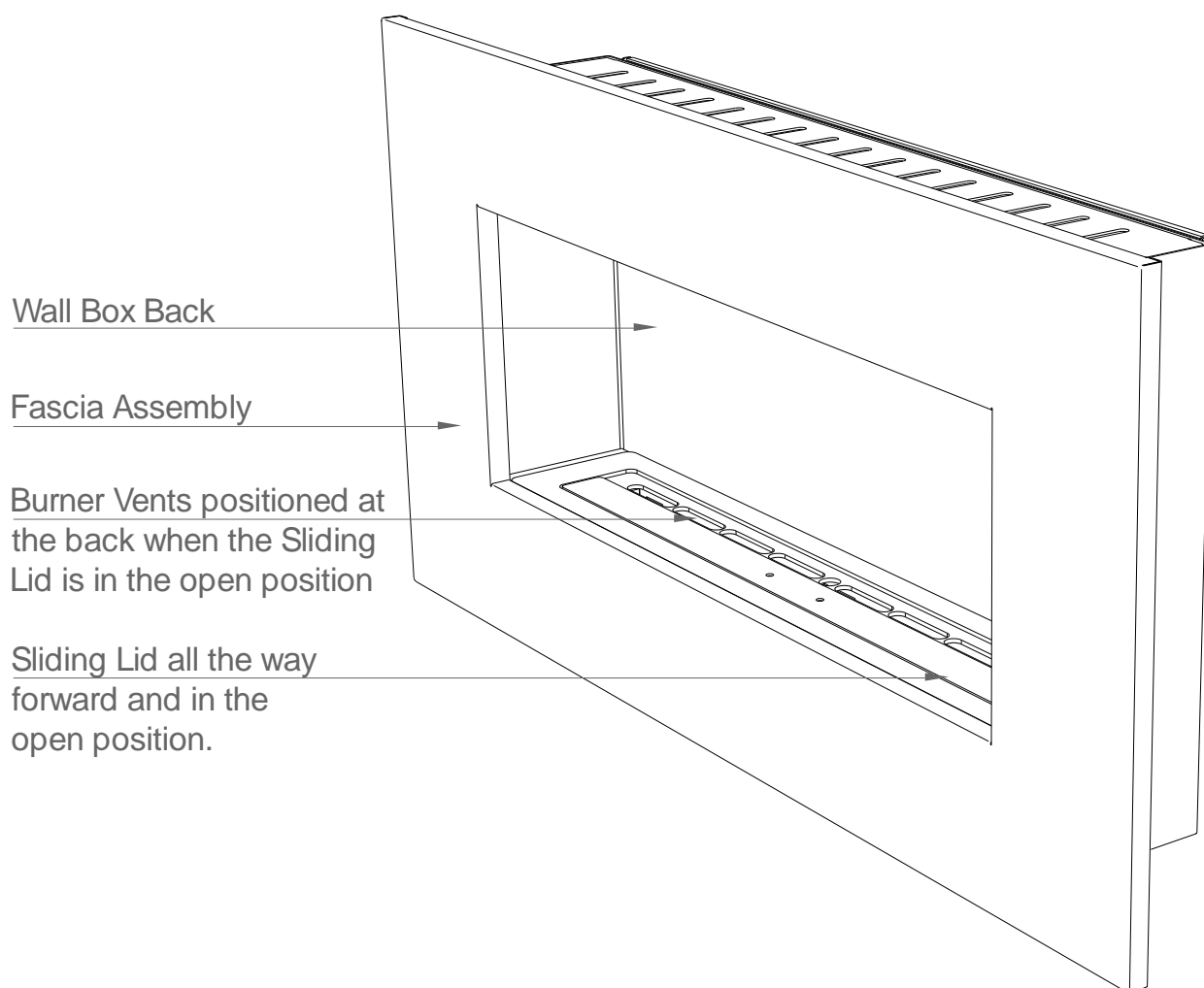
- **Make sure you have read and understood this manual before using this product.**
- **Do not overfill or spill fuel when refilling.**
- **If fuel is spilt onto the surface of the Firebox **WIPE IT IMMEDIATELY AND LEAVE TO DRY BEFORE LIGHTING THE BURNER.****
- **If fuel is spilled on the stainless steel Burner during filling, wipe with a dry cloth and allow the rest to evaporate before lighting the Burner.**
- **If the Burner is accidentally overfilled, follow the steps in the Burner manual to rectify.**
- **To refill, wait until the Burner is at the room temperature after the flame has been turned off.**  
**NOTE: the flame may not be visible to the naked eye in daylight and must be cool before filling.**
- **NEVER refill over or near an open flame and use a decanter with a flame arrestor only.**
- **Remove all plastic & packaging before using the Burner.**

## CONTENT OF PACKAGING:

- Hanger Bracket - qty 1 (wall screws/fixings not supplied)
- Wall Box\* - qty 1
- Burner Tray - qty 1 (Pre-fastened to wall box)
- Fascia - qty 1 (Separately packaged)
- Safety Clips - qty 2
- Installation Manual - qty 1

\* In some cases, the Slimline Burner comes pre-fixed in the Wall Box. In other cases, the Slimline Burner comes as a separate unit.

NOTE: *Icon Fires* does not supply the wall fixings for the *Hanger Bracket* to be fitted to the wall because these fixings may need to vary depending on the material that the wall is made of. Please consult your local building regulations or hardware specialist if you are unsure.



### **MAKE SURE THE FIREPLACE HAS COOLED OFF COMPLETELY BEFORE CLEANING:**

To clean dust, wipe with a dry cloth or sponge.

To clean stainless steel parts, use bioethanol or Acetone.

Make sure the Sliding Lid for the Slimline Burner slides correctly and fully after cleaning and that any excess cleaning product has been wiped off completely.

## ALWAYS KEEP HANDY A CLASS ABE FIRE EXTINGUISHER:

Class ABE fire extinguishers are used to put out fires that are caused by combustible liquids. Class ABE fire extinguishers quell the flames by expelling a dry chemical powder or foam with a nitrogen propellant. The specific chemical can vary depending on the make or model. Water will not extinguish this flame.

### PROCEDURE IF BURNER IS OVERFILLED:

In case of accidental overfilling of the fuel tank, follow these steps:

- NEVER light the Slimline Burner if it is filled past the **filling line by more than 15mm**, shown in the section of **Filling the Slimline Burner**.
- Remove the Slimline Burner from its housing, using the hooks on the back end of the *Sliding Lid Handle* or rubber gloves.
- Empty excess fuel into a container suitable to hold the volume of the Burner, kitchen sink or toilet bowl.
- Wipe off all excess fuel that may have dripped on the outside of the Slimline Burner during emptying and allow any residual fuel to evaporate. Leave for 1 hour.
- Place the Slimline Burner back into its housing.
- Ignite the Slimline Burner only once all residual fuel outside the Burner has completely evaporated and the dispenser used to fill the Burner has been sealed and moved to a safe distance from the Burner.

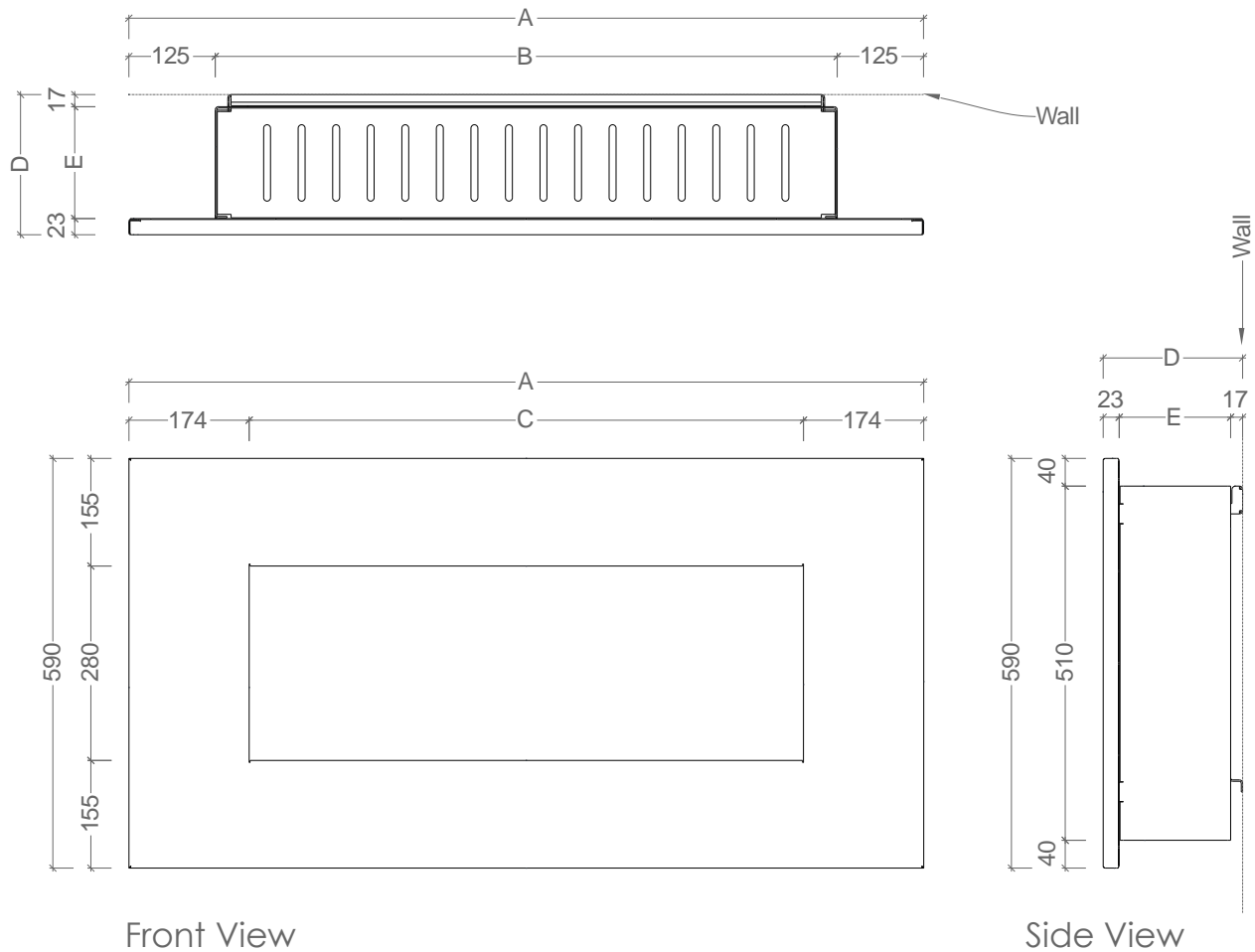
## USE CORRET FUEL: BIOETHANOL



### CLEANING & MAINTENANCE:

The surface of the inner metal sheet at the back of the Fireplace can change with time due to exposure to the heat of the fire which leads to a slight change in colour or structure. This is to be considered normal wear and tear and does not constitute a product flaw or fault. We recommend cleaning the back with a dry sheet of kitchen paper tower followed by a well wrung wet lint-free cloth. For cleaning the stainless steel Burner please consult the cleaning instructions in the Slimline Burner Manual supplied with your Burner.

# 1 - Product Specifications & Sizes



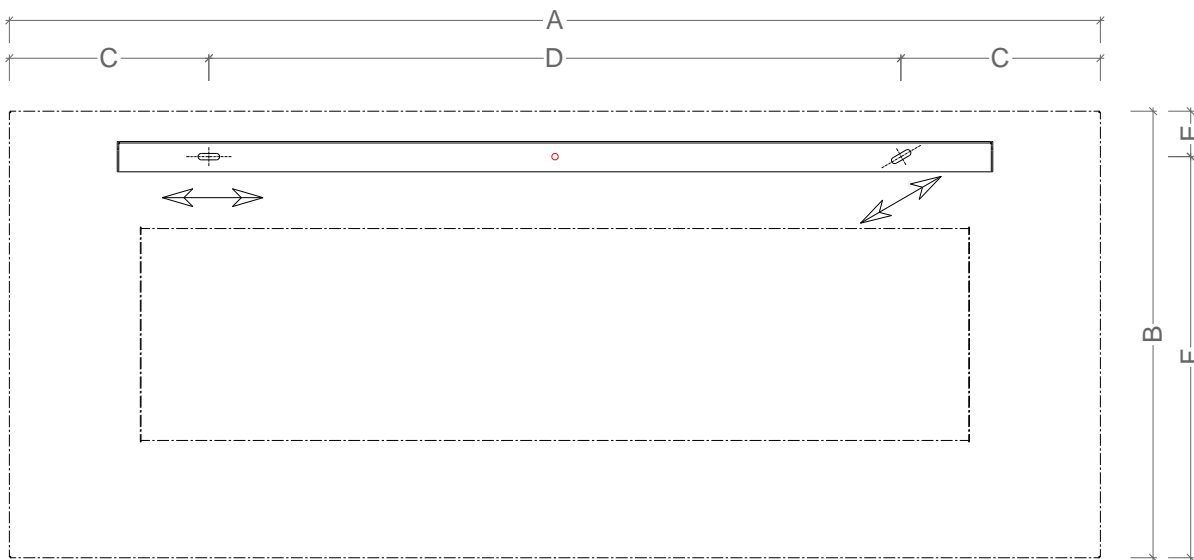
## Overall Product Sizes & Weights:

Product name	A = Fascia Length	B = Wall Box Length	C = Fascia Opening	D = MM From Wall	E = Wall Box Depth	Weight Excluding Burner	* Weight Including Full Burner
NERO 1150	1150mm	900mm	800mm	200mm	160mm	28,5kg	43,25kg
NERO 1450	1450mm	1200mm	1100mm	225mm	185mm	35,5kg	62,25kg
NERO 1750	1750mm	1500mm	1400mm	225mm	185mm	42,0kg	77,25kg

\* Please note the weight of the NERO including the Slimline Burner indicated here is the weight of the burner once filled with fuel. Be sure that the fixings used will compensate for at least this weight.

- Materials - Powder coated steel, *Stainless Steel*
- Applications - Indoor Only
- Compatible Burners - Slimline Burner Range

## 2 - Wall Hanger Bracket Position



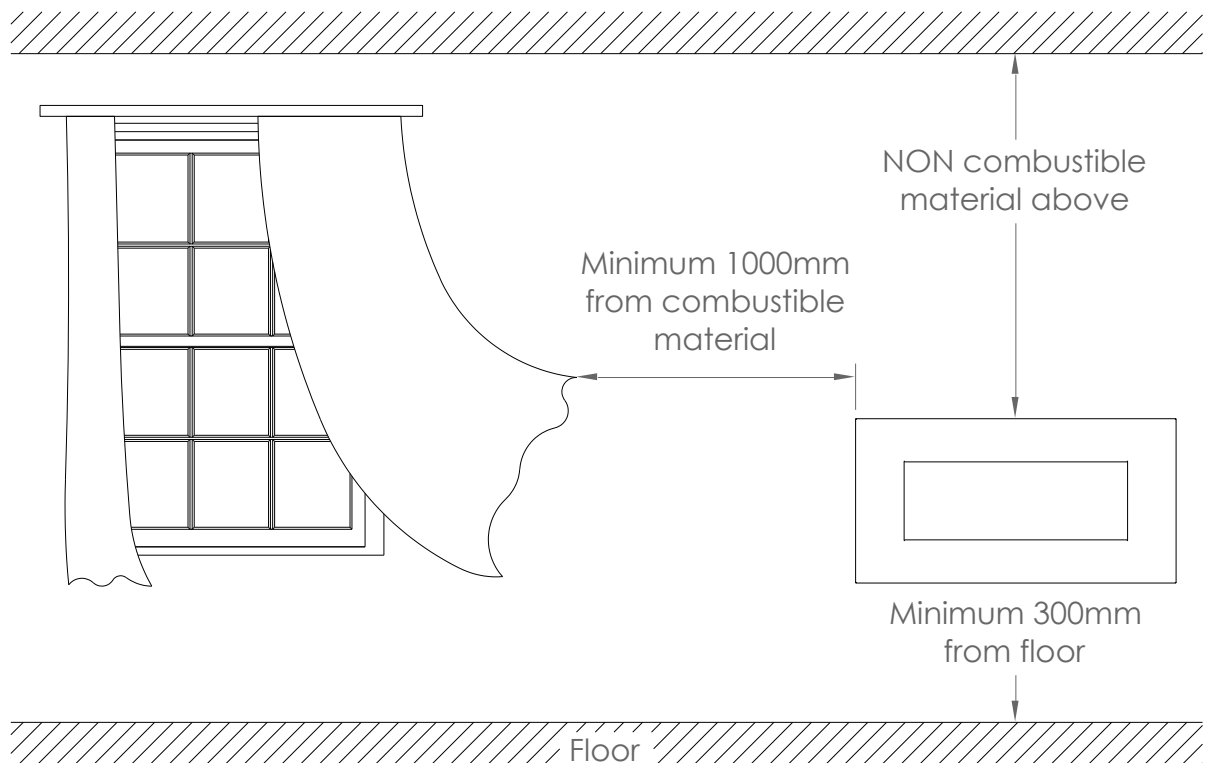
Size Burner	<b>A =</b> Fascia Length	<b>B =</b> Fascia Height	<b>C =</b> Fixing Position	<b>D =</b> Fixing Position	<b>E =</b> Fixing Position	<b>F =</b> Fixing Position
800 mm	1150mm	590mm	265mm	620mm	60mm	530mm
1100 mm	1450mm	590mm	265mm	920mm	60mm	530mm
1400 mm	1750mm	590mm	265mm	1220mm	60mm	530mm

The drawing and table above show the position of the wall fixings relative to the finished position of the *Fascia* once everything is assembled. The *NERO* needs to be mounted 100% level which is why the *Hanger Bracket* is designed to be slightly adjustable in case the initial screw positioning is not correct. This is achievable by sliding the *Hanger Bracket* from left to right when the fixings are in position (but not yet fastened) and by using a spirit level to make sure the *Hanger Bracket* is level. Always fit the outer two screws first, ensuring the *Hanger Bracket* is level. The larger models may have additional fixing holes between the outer two, to support the weight of the unit. Always use all the fixing holes in the bracket provided.

### 3 - Location, Positioning & Precautions

**NOTE: The NERO MAY NOT be installed or mounted onto any combustible material. NERO must be mounted onto a non-combustible, load bearing solid structure / wall, that can support the minimum weight of the complete fireplace unit filled with fuel.**

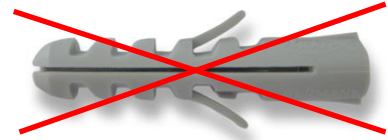
- Make sure that the *NERO* is installed no closer than 1m (40 inch) from any combustible items such as furniture, curtains, etc. See image below this section. No combustible materials are allowed above the *NERO* at any height.
- **Do Not** Place valuable items such as artwork, electronic devices, etc. above the *NERO* as the hot air that rises from the flame may damage such items.
- The *NERO* is not intended to be *Built-In*, it is designed to be mounted onto a surface as indicated in this manual. There are other *Slimline Burner Products* available in the *Icon Fires Product Range* intended for *Built-In* applications.
- Always make sure the room in which the *NERO* is situated in is well ventilated when the *NERO* is in use.
- Position the *NERO* where it will not be affected by any breeze or draft, as this may affect the behaviour of the flame in an unpredictable manner.
- Do not cover any of the vents (top, bottom or back) of the Wall Box of the *NERO*.
- Never place anything on top of the *NERO*.
- It is advisable to consider children and pets when selecting a height for mounting of the *NERO*.
- Never leave the *NERO* unattended when it is lit, or if it has just been extinguished.



## 4 - Installation Procedure

**NOTE: The NERO MAY NOT be installed or mounted onto any combustible material. NERO must be mounted onto a non-combustible, load bearing solid structure / wall, that can support the minimum weight of the complete fireplace unit filled with fuel.**

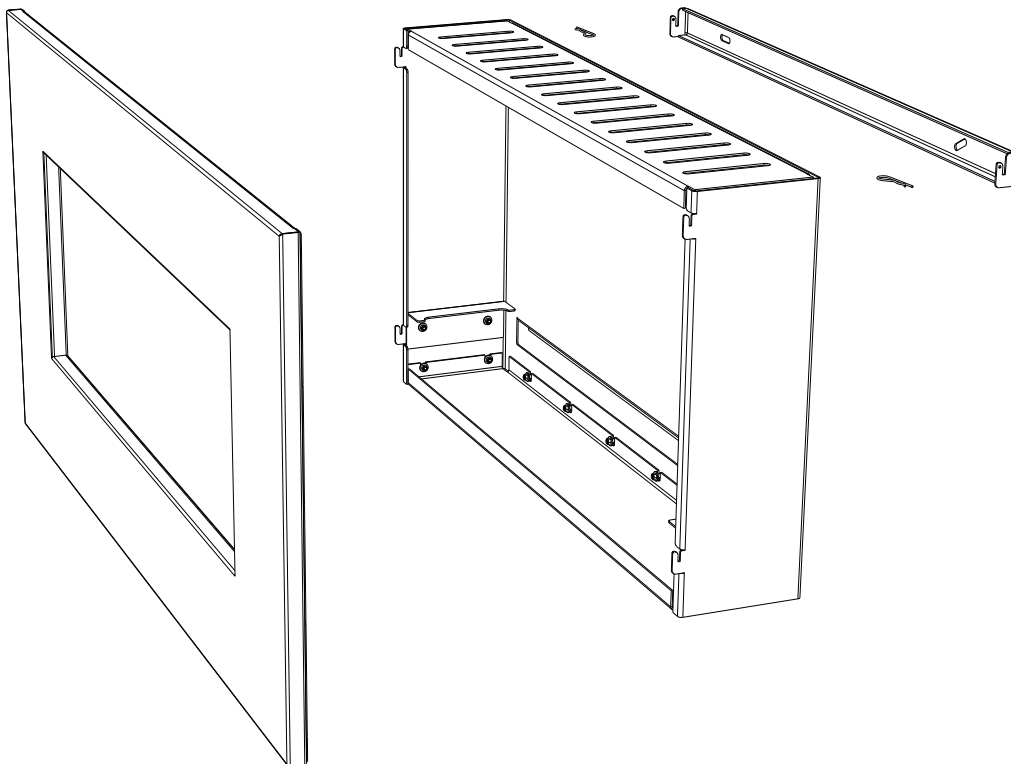
When purchasing Wall Fixings, make sure there are no plastic components. Use only metal Wall Fixings that will support the weight of the NERO you have purchased... see *Product Specifications & Sizes* table in this manual.



**When installing the NERO you will require the following:**

- Appropriate Wall Fixings - qty 2 (or 4 for the larger models)
- Corresponding tool for fastening the above mentioned Wall Fixings.
- Power drill - and correct bits for Wall Fixings selected.
- Spirit Level
- Tape Measure

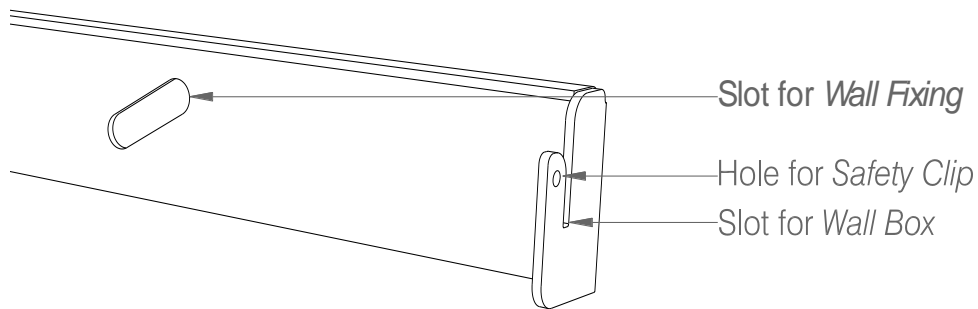
### Perspective of NERO Exploded



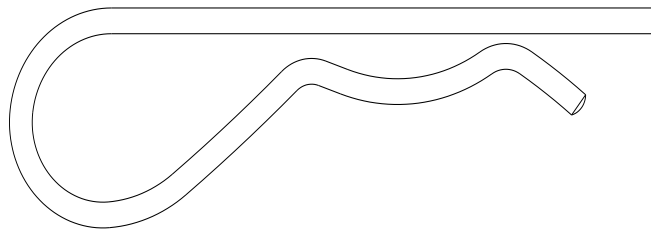


## Step 1:

After selecting an appropriate position for the *NERO* to be located, mark out and fasten the *Wall Hanger Bracket* to the wall.

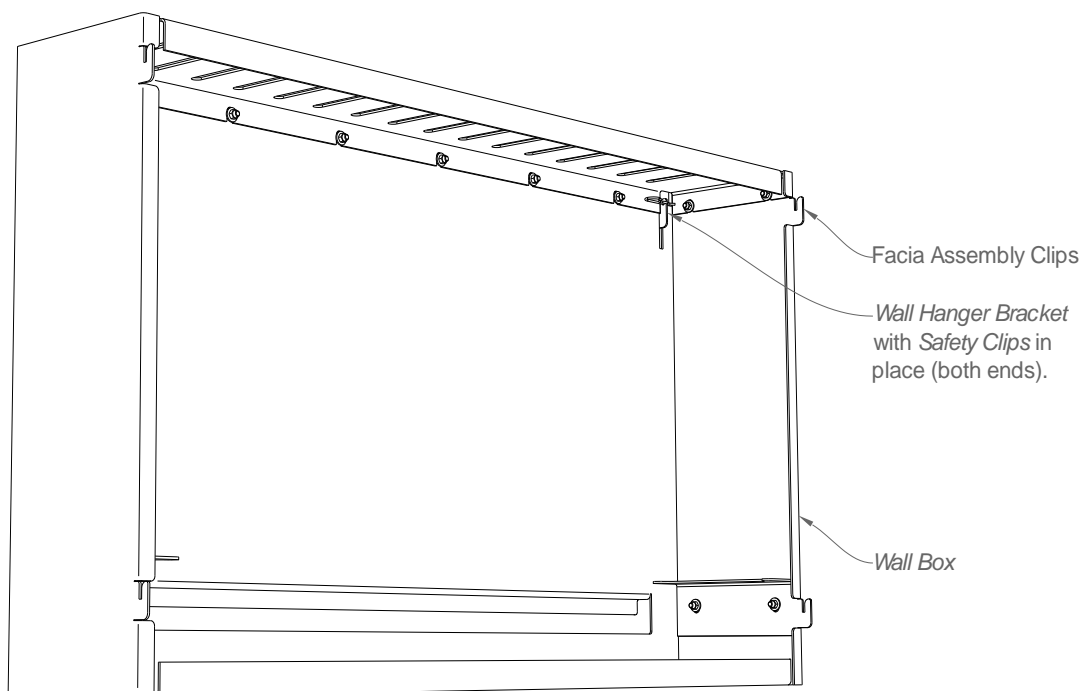


**NOTE:** After hooking the *Wall Box* onto the *Wall Hanger Bracket* (Step 2), make sure that the *Safety Clips* (image below) supplied are fitted into the appropriate holes to prevent the *Wall Box* from accidentally becoming dislodged from the wall.



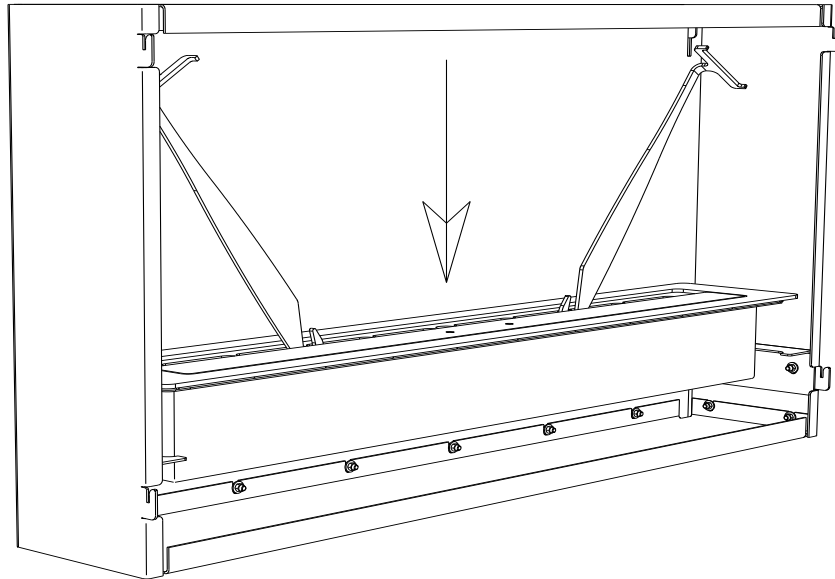
## Step 2:

Once the *Wall Hanger Bracket* is secured to the wall, hook the *Wall Box* onto the *Wall Hanger Bracket* and secure in place with the *Safety Clips*.



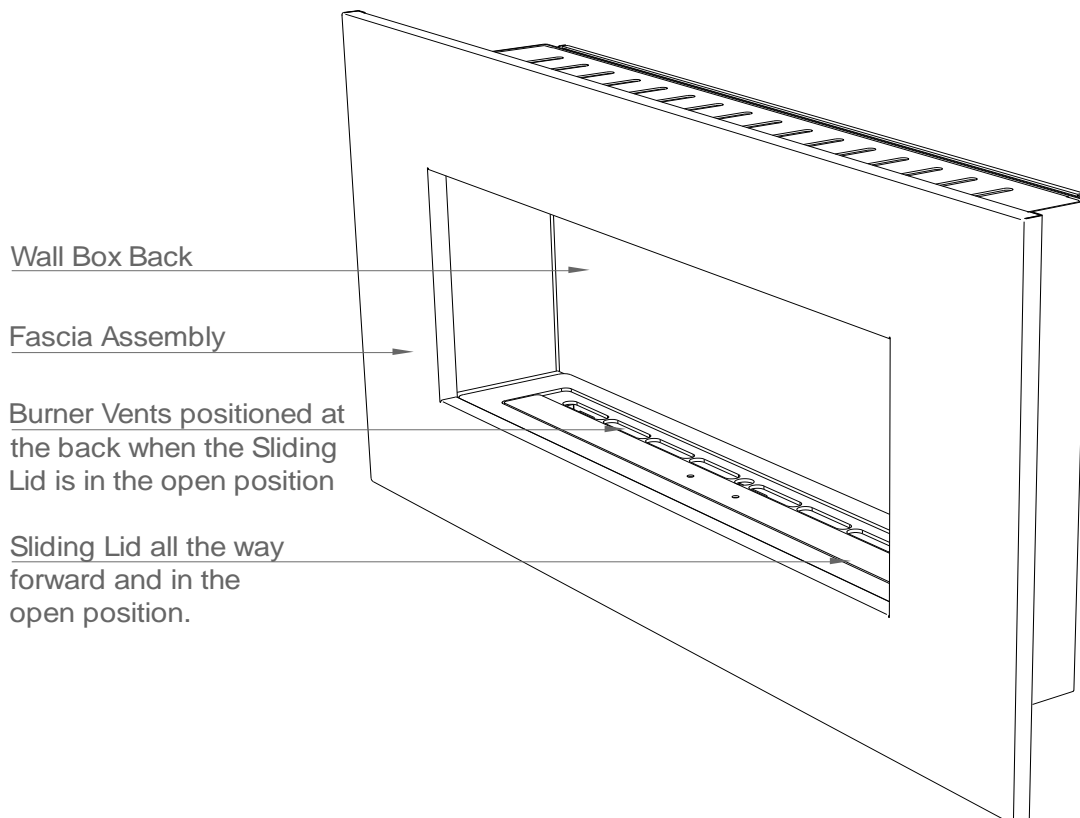
### Step 3:

Using the hooks at the back end of the *Sliding Lid Handles* supplied with the *Slimline Burner*, lower the **empty** *Slimline Burner* into the *Burner Tray* cut out as shown below. Do not do this if the *Fuel Tank* contains fuel.



### Step 4:

Make sure that the burner is facing the right way as per image below. After the burner has been inserted hook the *Fascia* onto the *Wall Box* by aligning the four holes in the back of the fascia with the four hooks (*Fascia assembly clips*) on the front of the wall box. Fill the *Slimline Burner* with the appropriate fuel, ignite and enjoy. Please refer to instructions in the *Slimline Burner Manual* supplied with the *Slimline Burner* for the appropriate manner in which to do this.



## Icon Fires Warranty Terms and Conditions

1. All warranty claims are subject to manufacturer's review and acceptance.
2. Icon Fires warrants that it uses reasonable care and skill to ensure that its products are of reasonable quality. Icon Fires will at its cost and in its sole discretion: (i) remedy any defect or fault in any product purchased; or (ii) replace any product in respect of which there is a defect or fault, during the warranty period, provided that written notice is given by the Purchaser to Icon Fires of any such defect or fault in the product as soon as the Purchaser becomes aware of that fault or defect. All warranty claims must be returned to Icon Fires for assessment with a receipt or other proof of payment. No warranty is given in respect of any glass contained in any product.
3. Icon Fires has no liability to remedy any defect in a product or replace a product where the defect or fault is caused or contributed to by (i) the failure of the Purchaser to install the product according to specific installation instructions either supplied within each product box or carton or available on the Icon Fires website or through the retailer representative; or (ii) use of the product in a manner or for a purpose for which it was not designed.
4. All site application or installation must reflect these procedures otherwise the product warranty will be considered void or will not take effect.

**All products bearing the logo of Icon Fires logo is covered by a 2-year warranty.**

### **IMPORTANT:**

- **Stone chipping, painting scratches and general scratches are not covered by the Warranty.**
- **Due to the characteristics of Stainless Steel, over time the finish will mature through natural processes associated with the use with heat and a flame.**
- **It is recommended the Stainless Steel Components be polished annually with a non-abrasive polish to bring & restore the finish and also to regularly clean the products from residue and dirt.**

# QC Checklist

## Components

- Wall hanger bracket 1 of.....
- Wall box 1 of .....
- Burner tray 1 of.....
- Manual 1 of.....
- Safety clips 2 of.....

Checked by.....