

AB8

ecosmart⁺
Fire

Its compact design enables the round-shaped AB8 to be easily integrated into outdoor and indoor fire designs.



Design Features



1. Dedicated Filling Point
A designated, in-built filling point to ensure the same procedures can be followed to decrease the likelihood of overfilling.

Consistent and Reliable
Its minimalist design and ability to withstand extreme heat result in consistent and reliable operation at all temperatures and permitted fuel levels.

No Flue, No Chimney, No Vent
There's no need for a chimney to vent harmful gases, as burning liquid e-NRG bioethanol does not produce any smoke. No utility connections required!

2. AB8 Efficiency Ring
The AB8 Efficiency Ring is placed over the internal burner vents when cold and not operating and serves to increase the efficiency of the burner as well as further stabilise the flame of the burner.

High Quality
Crafted from high quality, 304 grade stainless steel, EcoSmart Fire burners are built to last a lifetime.

Dual Function Lid
A simple lid is used to extinguish the flame and cover the burner opening when it is not in use. This prevents dust particles, leaf litter, rain and debris from falling into the 304 grade stainless steel tank, leaving it clean and safe for use year round.

Colours
Available in Stainless Steel and Black.

Easy to Clean
Our bioethanol burners can be washed in hot water (or even put in your dishwasher), a key competitive difference.

AB Burner Series
The fuel capacity and heat output are the key differences between the AB8 (8L Burner) and AB3 (2.5L Burner). Both burners have a similar burn time.

3. Top Tray
If installing a Burner indoors, a Top Tray must be incorporated into your setting before operating the appliance.

The incorporation of a Top Tray protects against heat transference and aids in the collection of accidental spillage.

Top Trays can be sourced from your local distributor, if not included in your order at time of purchase.

Global Compliance
All burners are OMNI-Test Laboratories Inc. listed in accordance with UL 1370-16 "Standard for Unvented Alcohol Fuel Burning Decorative Appliances" in the USA, are certified by BSI in accordance with EN16647, and comply with the ACCC Safety Mandate for Australia.

Accessories

Included



Jerry Can with Safety Spout and e-NRG bottle adaptor

Jerry Can allows safe storing/decanting of e-NRG* ethanol. The e-NRG adaptor connects the Safety Spout to an e-NRG fuel bottle.



Lighting Rod & Lighter

The Lighting Rod is designed to safely adjust the slider position on the burner. It is also used for the ignition procedure.



AB8 Efficiency Ring

Placed over the internal burner vent, it serves to increase the efficiency of the burner as well as further stabilise the flame.

Optional



Decorative Glass Media

Our decorative Black Glass Charcoal is made from high-quality tempered glass.

Not to be placed directly on top of the burner or anywhere they can interfere with the operation of the burner or the stability of flame.



Plasma Fire Screen

A freestanding Fire Screen supported by stainless steel feet, elevating the screen as if floating, while providing enhanced stability.



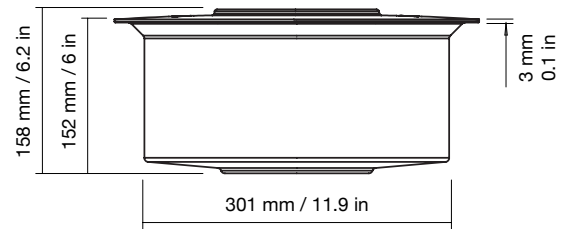
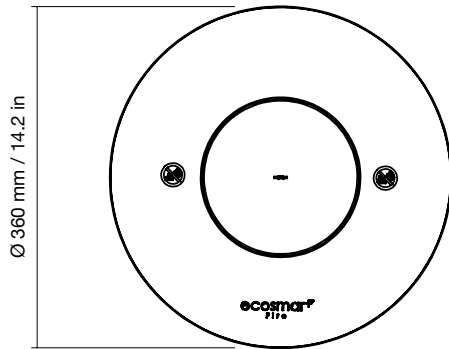
Twin Feet Fixings

These stainless steel feet secure a custom glass fire screen in place, offering easy removal for refueling and maintenance.

*e-NRG not available in all countries.

Disclaimer: All product specifications and data are subject to change without notice and believed to be correct at the time of publication. MAD Design Group (MDG), its affiliates, agents, and employees, and all persons acting on its or their behalf (collectively, "MAD Design Group"), disclaim any and all liability for any errors, inaccuracies or incompleteness contained herein or in any other disclosure relating to any product. MDG disclaims any and all liability arising out of the use or application of any product described herein or of any information provided herein to the maximum extent permitted by law. The product specifications do not expand or otherwise modify MDG's terms and conditions of purchase, including but not limited to the warranty expressed therein, which apply to these products. No license, express or implied, by estoppel or otherwise, to any intellectual property rights is granted by this document or by any conduct of MDG. Customers using or selling MDG products not expressly indicated for use in such applications do so entirely at their own risk and agree to fully indemnify MDG for any damages arising or resulting from such use or sale. Please contact authorised personnel from MDG to obtain written terms and conditions regarding products designed for such applications. Images are indicative only.

Specifications (Outdoor)



ESF.B.AB8

Product Dimensions

L 360 mm [14.2 in]
W 360 mm [14.2 in]
D 152 mm [6.0 in]

Weight (approx)

5.9 kg [13 lb]

Product Materials

Grade 304 Stainless Steel (With Optional Black Ceramic Coating)

Colours

Stainless Steel or Black



Burner Ventilation and Efficiency*

Fuel Type	Fuel Capacity	Heats on Average (Indoors)	Fuel Consumption	Thermal Output Net (MAX per burner)	Approx. Burn Time	Minimum Room Size	Application ¹
e-NRG Bioethanol e-NRG.com	8 L [2.1 Gal]	Over 60 m ² [645 ft ²]	1.1 L/h [0.29 Gal/h]	21.56 MJ/h, 20,433 BTU/h, 5.99 kW	7 - 9 hours	116 m ³ [4,096 ft ³]	Outdoor
	With Efficiency Ring	Over 30 m ² [322.9 ft ²]	0.7 L/h [0.18 Gal/h]	13.9 MJ/h, 12,860 BTU/h, 3.77 kW	9 - 11 hours		

*These values are indicative only and may vary depending on the model purchased, installation, and the seasonal resource used to manufacture e-NRG.

¹For Indoor Use, additional parts are required. Your chosen application is the ONLY application the model can be used in due to modified configuration of the model. Please advise your Sales Representative at time of purchase so that the product can be configured accordingly.

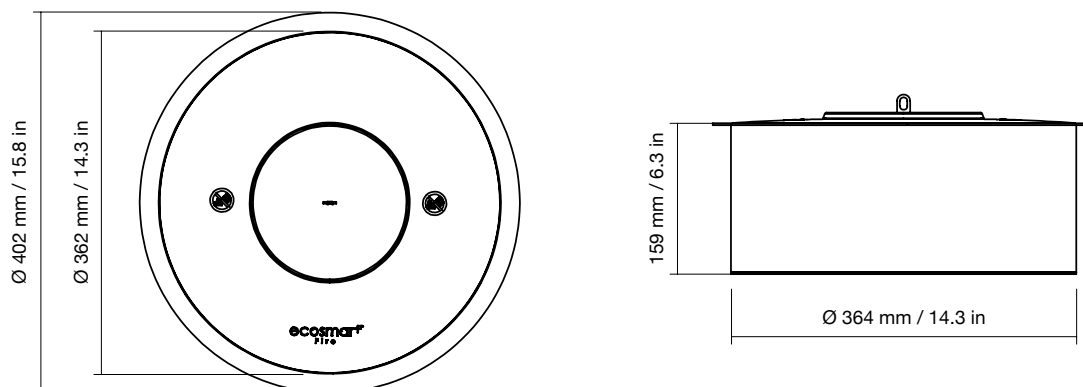
Read the manual carefully before operating the burner. Physical model dimensions should be verified against cut out dimensions BEFORE installation begins to confirm tolerances align.

This model complies with existing standards in the USA, Europe, UK and Australia. O-TL listed to UL1370, EN 16647 BSI Certified and ACCC Safety Mandate compliant. To comply with EN16647 (EU, UK, AU) a Top Tray must be used and the Efficiency Ring (included with AB8) must be installed before operating indoors.

For more information please reference the Clearance & Installation Manual

Disclaimer: All product specifications and data are subject to change without notice and believed to be correct at the time of publication. MAD Design Group (MDG), its affiliates, agents, and employees, and all persons acting on its or their behalf (collectively, "MAD Design Group"), disclaim any and all liability for any errors, inaccuracies or incompleteness contained herein or in any other disclosure relating to any product. MDG disclaims any and all liability arising out of the use or application of any product described herein or of any information provided herein to the maximum extent permitted by law. The product specifications do not expand or otherwise modify MDG's terms and conditions of purchase, including but not limited to the warranty expressed therein, which apply to these products. No license, express or implied, by estoppel or otherwise, to any intellectual property rights is granted by this document or by any conduct of MDG. Customers using or selling MDG products not expressly indicated for use in such applications do so entirely at their own risk and agree to fully indemnify MDG for any damages arising or resulting from such use or sale. Please contact authorised personnel from MDG to obtain written terms and conditions regarding products designed for such applications. Images are indicative only.

Specifications (Indoor)



ESF.B.AB8.WTT

Product Dimensions

L 402 mm [15.8 in]
W 402 mm [15.8 in]
D 159 mm [6.3 in]

Weight (approx)

8.2 kg [18.1lb]

Product Materials

Grade 304 Stainless Steel (With Optional Black Ceramic Coating)

Colours

Stainless Steel or Black



Burner Ventilation and Efficiency*

Fuel Type	Fuel Capacity	Heats on Average (Indoors)	Fuel Consumption	Thermal Output Net (MAX per burner)	Approx. Burn Time	Minimum Room Size	Application ¹
e-NRG Bioethanol e-NRG.com	8 L [2.1 Gal]	Over 60 m ² [645 ft ²]	1.1 L/h [0.29 Gal/h]	21.56 MJ/h, 20,433 BTU/h, 5.99 kW	7 - 9 hours	116 m ³ [4,096 ft ³]	Indoor
	With Efficiency Ring	Over 30 m ² [322.9 ft ²]	0.7 L/h [0.18 Gal/h]	13.9 MJ/h, 12,860 BTU/h, 3.77 kW	9 - 11 hours		

*These values are indicative only and may vary depending on the model purchased, installation, and the seasonal resource used to manufacture e-NRG.

¹For Indoor Use, additional parts are required. Your chosen application is the ONLY application the model can be used in due to modified configuration of the model. Please advise your Sales Representative at time of purchase so that the product can be configured accordingly.

Read the manual carefully before operating the burner. Physical model dimensions should be verified against cut out dimensions BEFORE installation begins to confirm tolerances align.

This model complies with existing standards in the USA, Europe, UK and Australia. O-TL listed to UL1370, EN 16647 BSI Certified and ACCC Safety Mandate compliant. To comply with EN16647 (EU, UK, AU) a Top Tray must be used and the Efficiency Ring (included with AB8) must be installed before operating indoors.

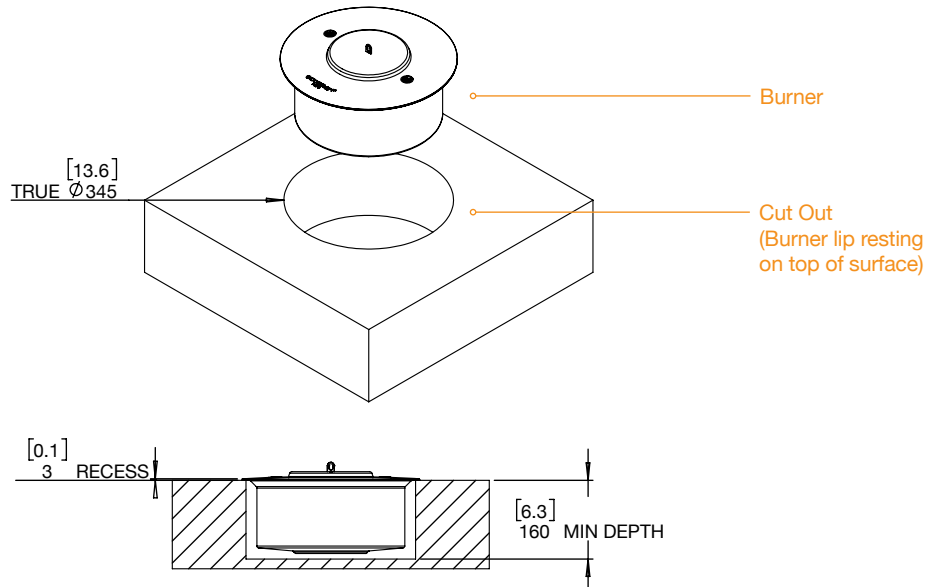
For more information please reference the Clearance & Installation Manual

Disclaimer: All product specifications and data are subject to change without notice and believed to be correct at the time of publication. MAD Design Group (MDG), its affiliates, agents, and employees, and all persons acting on its or their behalf (collectively, "MAD Design Group"), disclaim any and all liability for any errors, inaccuracies or incompleteness contained herein or in any other disclosure relating to any product. MDG disclaims any and all liability arising out of the use or application of any product described herein or of any information provided herein to the maximum extent permitted by law. The product specifications do not expand or otherwise modify MDG's terms and conditions of purchase, including but not limited to the warranty expressed therein, which apply to these products. No license, express or implied, by estoppel or otherwise, to any intellectual property rights is granted by this document or by any conduct of MDG. Customers using or selling MDG products not expressly indicated for use in such applications do so entirely at their own risk and agree to fully indemnify MDG for any damages arising or resulting from such use or sale. Please contact authorised personnel from MDG to obtain written terms and conditions regarding products designed for such applications. Images are indicative only.

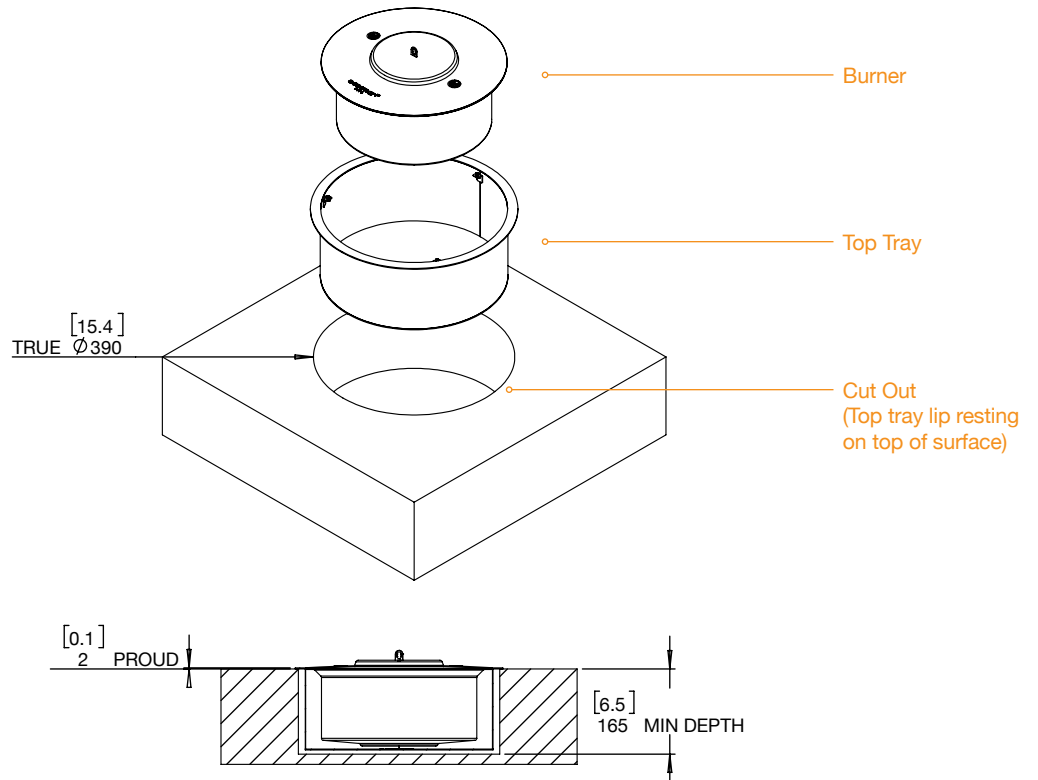
Cut-out dimensions

Physical model dimensions should be verified against cut out dimensions BEFORE installation begins to confirm tolerances align.

Outdoor Application Burner Without Top Tray



Indoor Application Burner With Top Tray



Disclaimer: All product specifications and data are subject to change without notice and believed to be correct at the time of publication. MAD Design Group (MDG), its affiliates, agents, and employees, and all persons acting on its or their behalf (collectively, "MAD Design Group"), disclaim any and all liability for any errors, inaccuracies or incompleteness contained herein or in any other disclosure relating to any product. MDG disclaims any and all liability arising out of the use or application of any product described herein or of any information provided herein to the maximum extent permitted by law. The product specifications do not expand or otherwise modify MDG's terms and conditions of purchase, including but not limited to the warranty expressed therein, which apply to these products. No license, express or implied, by estoppel or otherwise, to any intellectual property rights is granted by this document or by any conduct of MDG. Customers using or selling MDG products not expressly indicated for use in such applications do so entirely at their own risk and agree to fully indemnify MDG for any damages arising or resulting from such use or sale. Please contact authorised personnel from MDG to obtain written terms and conditions regarding products designed for such applications. Images are indicative only.