

Linear 50

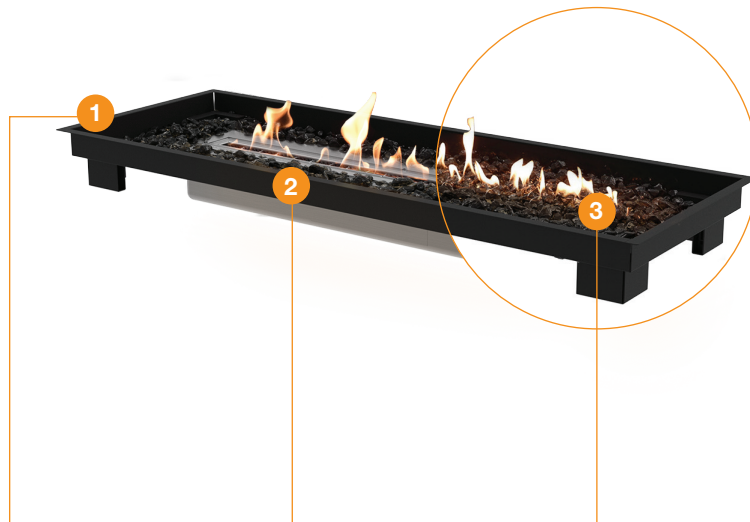
ecosmart⁺
Fire

Modern and versatile, Linear 50 Fire Pit Kit provides an elegant, elongated flame from a single Burner. Ideal for homes and intimate commercial settings.



NAH, Nasu Japan

Design Features



1. Decorative Media

Fire Pit Kits come with black glass charcoal.

All-in-one

Our Fire Pit Kits include everything you need to effortlessly install a gas or ethanol fire pit, in just two simple steps. Simply place the black metal tray that houses the EcoSmart burner/s onto a non-combustible surface such as concrete, brick, stone, or tiles – or into fire-rated combustible material. Complete the setup by adding the decorative black glass charcoal to create a striking and elegant centerpiece.

2. Black Hi-Temp Coated Stainless Steel Tray

All Fire Pit Kits feature an inlay black metal tray to house the compatible burner and included decorative media.

Versatile and Durable

EcoSmart Fire Pits are versatile, incredibly durable, and are constructed of weather resistant materials. These appliances are designed to look great for years, and will perform admirably through all four seasons.

3. Triple Fuel Advantage

Choose between plumbed natural gas, readily available propane, or our eco-friendly bioethanol fuel system. We make it easy for you to achieve exactly what you want, for exactly where you want it.

Clean Burning Flame

Unlike traditional wood fire pits, our fire pit kits produce no smoke, no soot, and no ash for an enjoyable experience without the mess.

Global Compliance

This model complies with existing standards in the USA, Europe, UK and Australia. O-TL listed to UL 1370, EN 16647 BSI Certified and ACCC Safety Mandate compliant for bioethanol burners. LP/NG burners are UL/ULC listed to ANSI Z21.97-2017 and CSA 2.41-2017, and Gas Appliance Regulation 2016/426 as it applies to EU (CE) and UK (UKCA).

Accessories

Included



Decorative Glass Media

Our decorative Black Glass Charcoal is made from high-quality tempered glass.



Jerry Can with Safety Spout and e-NRG* bottle adaptor

Jerry Can allows safe storing/decanting of e-NRG ethanol. The e-NRG adaptor connects the Safety Spout to an e-NRG fuel bottle.



Lighting Rod & Lighter

The Lighting Rod is designed to safely adjust the slider position on the burner. It is also used for the ignition procedure.



XL Baffles

Placed over the internal burner vents, they serve to increase the efficiency of the burner as well as further stabilise the flame.

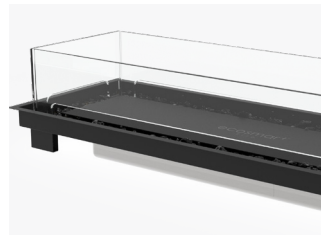
E: Ethanol models only.

Optional



Glass Fire Screen

Screens help to minimise the impact of wind on the flame and reduce fuel consumption.



XL Silicone Burner Cover

Placed over the burner, the black silicone burner cover protects the burner from the elements when not in use.



Glass Cover Plate (L50)

Enables fire pit tables to easily be transformed into a usable coffee table surface.



Tank

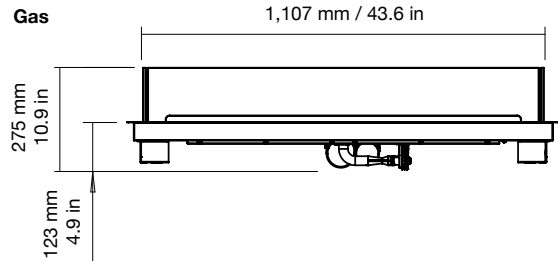
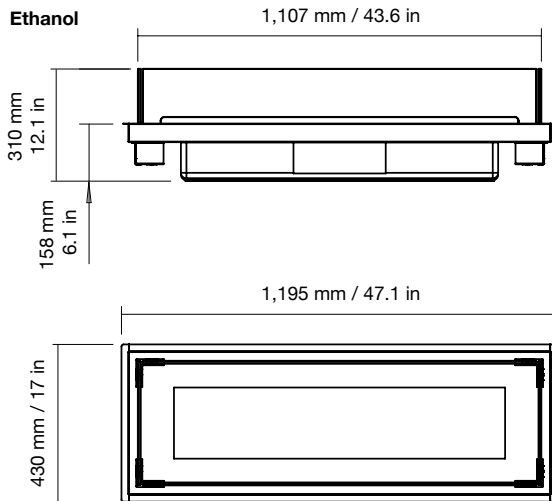
Perfectly sized to discreetly hide a propane tank while also doubling as a functional side table or stool. Available in painted and raw concrete colours, or natural teak wood.

*e-NRG not available in all countries.

Disclaimer: All product specifications and data are subject to change without notice and believed to be correct at the time of publication. MAD Design Group (MDG), its affiliates, agents, and employees, and all persons acting on its or their behalf (collectively, "MAD Design Group"), disclaim any and all liability for any errors, inaccuracies or incompleteness contained herein or in any other disclosure relating to any product. MDG disclaims any and all liability arising out of the use or application of any product described herein or of any information provided herein to the maximum extent permitted by law. The product specifications do not expand or otherwise modify MDG's terms and conditions of purchase, including but not limited to the warranty expressed therein, which apply to these products. No license, express or implied, by estoppel or otherwise, to any intellectual property rights is granted by this document or by any conduct of MDG. Customers using or selling MDG products not expressly indicated for use in such applications do so entirely at their own risk and agree to fully indemnify MDG for any damages arising or resulting from such use or sale. Please contact authorised personnel from MDG to obtain written terms and conditions regarding products designed for such applications. Images are indicative only.

Linear 50

Specifications



ESF.B.FPK.L.50

Product Dimensions

L 1,195 mm [47.1 in]
W 430 mm [17 in]
D **Ethanol** 158 mm [6.1 in]
D **Gas** 123 mm [4.9 in]

Weight (approx)

27.6 kg [60.8 lb]
Weight includes burner & media.

Product Materials

Black Hi-Temp Coated Stainless Steel Tray; Grade 304 Stainless Steel (Optional Black Ceramic Coating) Burner.

Surround Colour

Black



Burner Colours

Stainless Steel or Black



Burner Ventilation and Efficiency*

Fuel Type	Compatible Burner	Fuel Capacity	Heats on Average (Indoors)	Thermal Output Net (MAX per burner)	Approx. Burn Time	Minimum Room Size	Application ¹
e-NRG Bioethanol e-NRG.com	XL900	9 L [2.4 Gal]	Over 60 m ² [645 ft ²]	16 MJ/h, 15,000 BTU/h, 4.4 kW	8 - 13 hours	110 m ³ [3,884 ft ³]	Indoor & Outdoor
Liquid Propane	G37T	NA	Outdoor use only	65,000 BTU/h, 19 kW	8 - 20 hours	Outdoor use only	Outdoor use only
Natural Gas					Unlimited		

*These values are indicative only. ¹ LP/NG is suited for Outdoor use only. Bioethanol is suited for both Indoor/Outdoor use, however, additional parts are REQUIRED for indoor use. Please advise your Sales Representative at the time of purchase so that the product can be configured accordingly. Read the manual carefully before operating the burner. Physical model dimensions should be verified against cut out dimensions BEFORE installation begins to confirm tolerances align. This model complies with existing standards in the USA, Europe, UK and Australia. O-TL listed to UL 1370, EN 16647 BSI Certified and ACCC Safety Mandate compliant for bioethanol burners. To comply with EN 16647 the Indoor Safety Tray must be installed before operating indoors. LP/NG burners are UL/ULC listed to ANSI Z21.97-2017 and CSA 2.41-2017, and Gas Appliance Regulation 2016/426 as it applies to EU (CE) and UK (UKCA). Line drawings show model with the optional Recessed Glass Fire Screen.

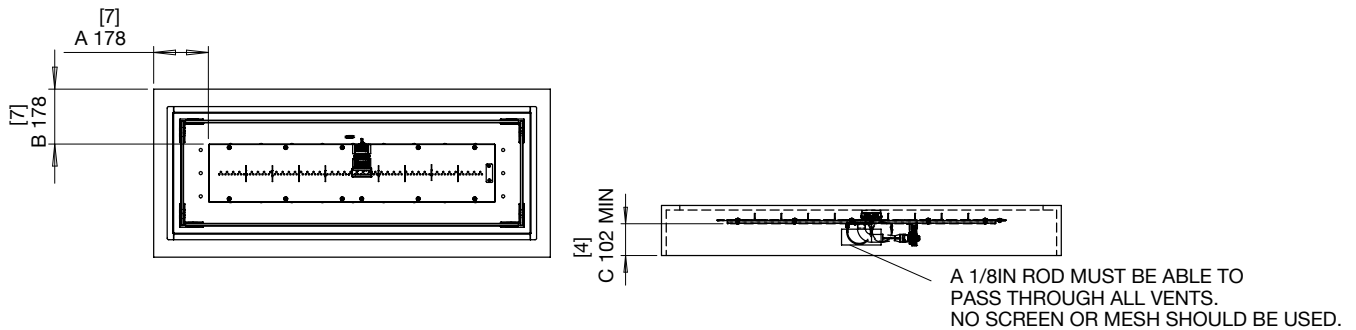
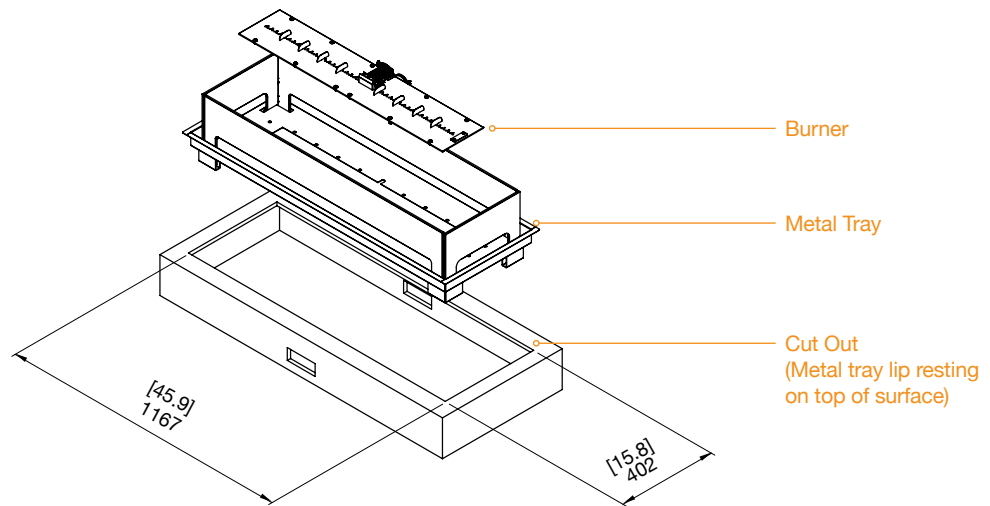
For more information please reference the Clearance & Installation Manual

Disclaimer: All product specifications and data are subject to change without notice and believed to be correct at the time of publication. MAD Design Group (MDG), its affiliates, agents, and employees, and all persons acting on its or their behalf (collectively, "MAD Design Group"), disclaim any and all liability for any errors, inaccuracies or incompleteness contained herein or in any other disclosure relating to any product. MDG disclaims any and all liability arising out of the use or application of any product described herein or of any information provided herein to the maximum extent permitted by law. The product specifications do not expand or otherwise modify MDG's terms and conditions of purchase, including but not limited to the warranty expressed therein, which apply to these products. No license, express or implied, by estoppel or otherwise, to any intellectual property rights is granted by this document or by any conduct of MDG. Customers using or selling MDG products not expressly indicated for use in such applications do so entirely at their own risk and agree to fully indemnify MDG for any damages arising or resulting from such use or sale. Please contact authorised personnel from MDG to obtain written terms and conditions regarding products designed for such applications. Images are indicative only.

Cut-out dimensions - Hard Piped Natural Gas & Propane

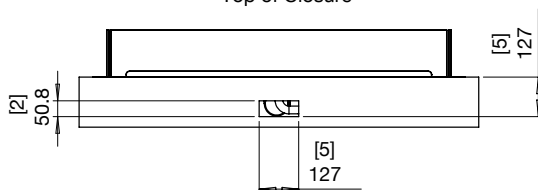
Outdoor Application only

Physical model dimensions should be verified against cut out dimensions BEFORE installation begins to confirm tolerances align.



HARD-PIPED NATURAL GAS MINIMUM REQUIREMENTS

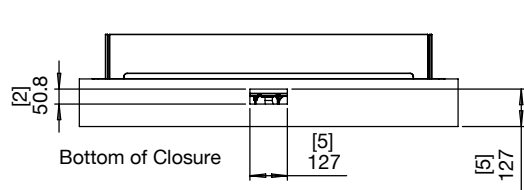
Top of Closure



HARD-PIPED NATURAL GAS ENCLOSURE
2 EQUAL SIZE VENTS REQUIRED.
VENTS SHOULD BE WITHIN **127MM [5IN]**
OF THE **TOP** OF CLOSURE.

HARD-PIPED PROPANE MINIMUM REQUIREMENTS

Bottom of Closure



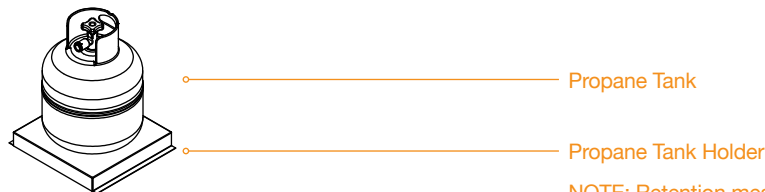
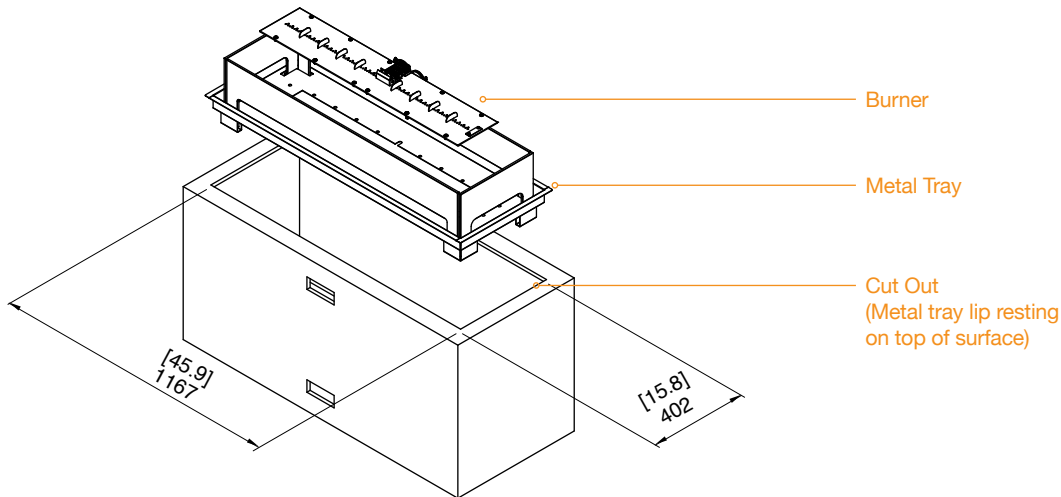
HARD-PIPED PROPANE ENCLOSURE
2 EQUAL SIZE VENTS REQUIRED.
VENTS SHOULD BE WITHIN **127MM [5IN]**
OF THE **BOTTOM** OF CLOSURE.

Linear 50

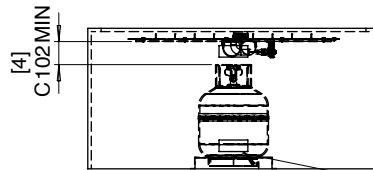
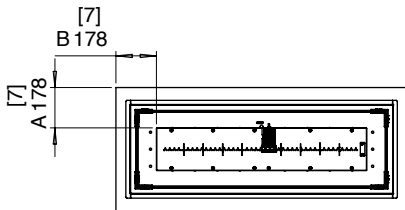
Cut-out dimensions - Self Contained Propane

Outdoor Application only

Physical model dimensions should be verified against cut out dimensions BEFORE installation begins to confirm tolerances align.

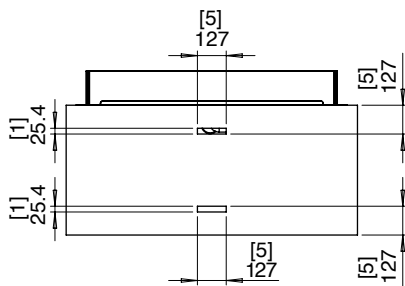


NOTE: Retention means must be provided to limit the movement of the LP gas cylinder.



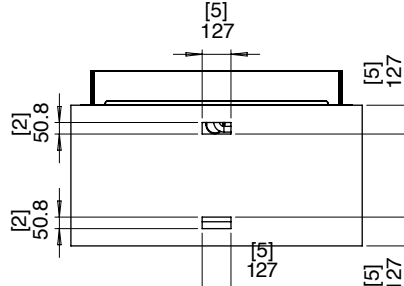
A 1/8IN ROD MUST BE ABLE TO PASS THROUGH ALL VENTS. NO SCREEN OR MESH SHOULD BE USED.

MINIMUM REQUIREMENT



10LBS PROPANE BOTTLE ENCLOSURE
4 EQUAL SIZE VENTS REQUIRED

MINIMUM REQUIREMENT



20LBS PROPANE BOTTLE ENCLOSURE
4 EQUAL SIZE VENTS REQUIRED

TOP VENTS SHOULD BE WITHIN 127MM [5IN] OF THE TOP OF CLOSURE.
BOTTOM VENTS SHOULD BE WITHIN 127MM [5IN] OF THE BOTTOM OF CLOSURE.

Disclaimer: All product specifications and data are subject to change without notice and believed to be correct at the time of publication. MAD Design Group (MDG), its affiliates, agents, and employees, and all persons acting on its or their behalf (collectively, "MAD Design Group"), disclaim any and all liability for any errors, inaccuracies or incompleteness contained herein or in any other disclosure relating to any product. MDG disclaims any and all liability arising out of the use or application of any product described herein or of any information provided herein to the maximum extent permitted by law. The product specifications do not expand or otherwise modify MDG's terms and conditions of purchase, including but not limited to the warranty expressed therein, which apply to these products. No license, express or implied, by estoppel or otherwise, to any intellectual property rights is granted by this document or by any conduct of MDG. Customers using or selling MDG products not expressly indicated for use in such applications do so entirely at their own risk and agree to fully indemnify MDG for any damages arising or resulting from such use or sale. Please contact authorized personnel from MDG to obtain written terms and conditions regarding products designed for such applications. Images are indicative only.